

BROKIS®

MEMORY

CM16414
12 / 2022

WALL US881, US880, US879



Download

COMPONENTS INCLUDED WITH UNIT:

1x glass shade
1x metal fixture
1x junction box reduction
3x hex screw M4x6
1x hex key size 3
1x metal pull
1x installation manual

WARNING:

Installation must be carried out by a qualified electrician only.

Switch off power at main circuit panel prior to installation!

The manufacturer assumes no liability for damage occurring in transport or resulting from incorrect installation.

DRY LOCATIONS ONLY

Installation time: 30 minutes / 1 person



BROKIS®

BROKIS S.R.O.
ŠPANIELOVA 1315/25
163 00 PRAHA 6 - ŘEPY
CZECH REPUBLIC

ORG. ID 64940799
VAT ID CZ64940799
C 42174 MĚSTSKÝ SOUD
V PRAZE

TEL +420 567 211 517
TECHNICAL@BROKIS.CZ
INFO@BROKIS.CZ
WWW.BROKIS.CZ



CLEANING THE GLASS:

BROKIS upholds only the highest possible quality standards. Prior to shipping, the light undergoes several quality controls and stages of cleaning. Because transportation, storage, and the amount of time that passes between packing at our plant and subsequent unpacking by the client can affect the light in different ways, we strongly recommend cleaning it prior to assembly.

The glass must first be rinsed in warm water, and a dish detergent may be used to remove all foreign particles, dust, and grease. Repeat the process if necessary and then dry the glass thoroughly with a paper towel.

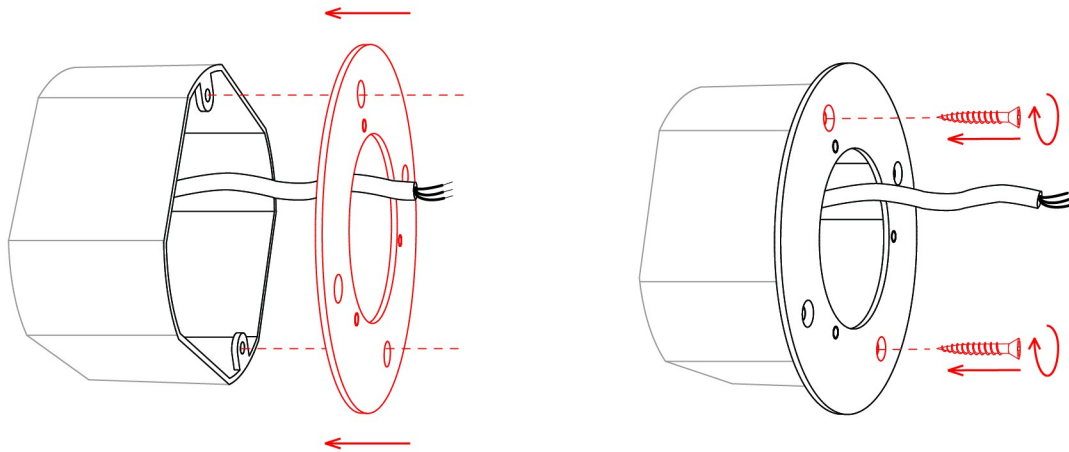
Recommendation: Do not use mineral spirits, highly concentrated thinners, or other substances not intended for use on glass surfaces. Do not use any cleaning agents containing silicone, as they may leave a film and attract dust and smudges.

PRIOR TO SHIPPING, THE FUNCTIONALITY OF EACH LIGHT AND ITS COMPONENTS IS CHECKED THOROUGHLY. THE MANUFACTURER ASSUMES NO LIABILITY FOR THE MISHANDLING OF PRODUCTS.



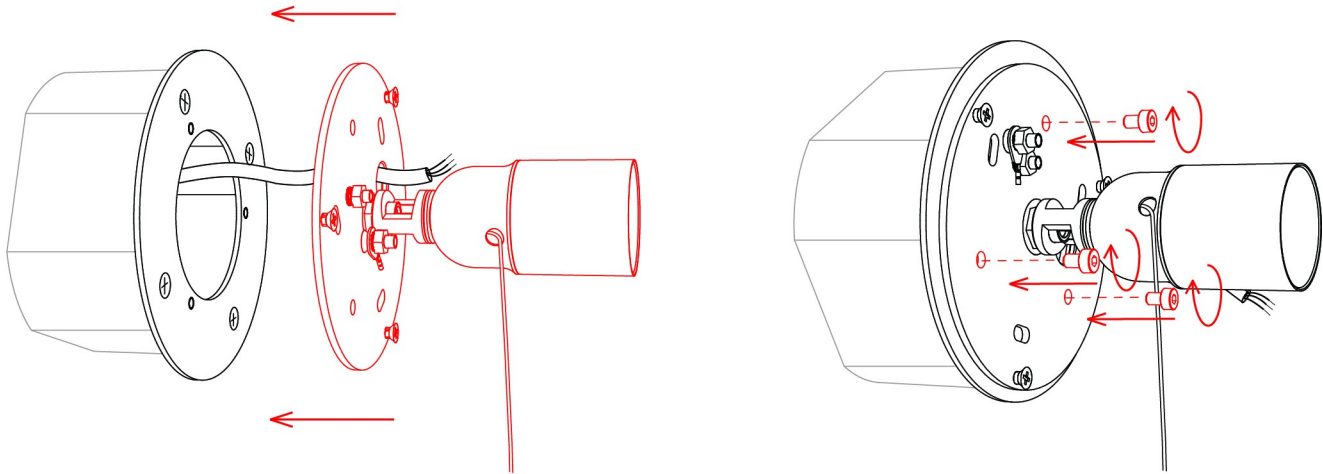
1. INSTALLING THE METAL FIXTURE – REDUCTION

Using anchors of sufficient strength (not included), secure the reduction to the junction box. With regard to various types of walls and materials, we recommend consulting installation with an expert. The manufacturer assumes no liability for incorrect installation, the use of improper anchors, or defects in the material to which the load-bearing component is secured.



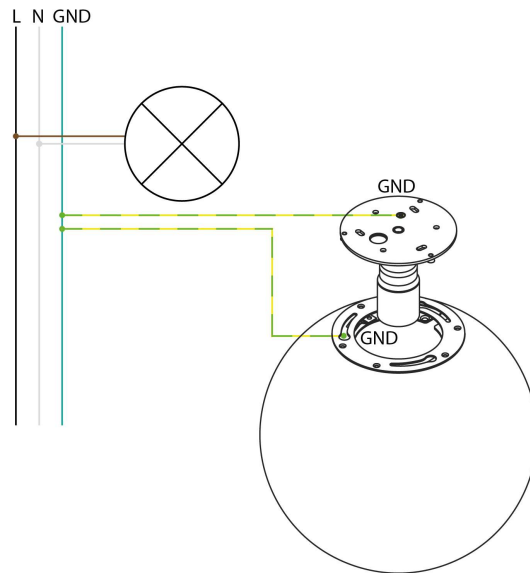
2. INSTALLING THE METAL FIXTURE

Pass the power cable through the fixture and use the three M4x6 hex screws and the size 3 hex key to secure the fixture to the reduction.



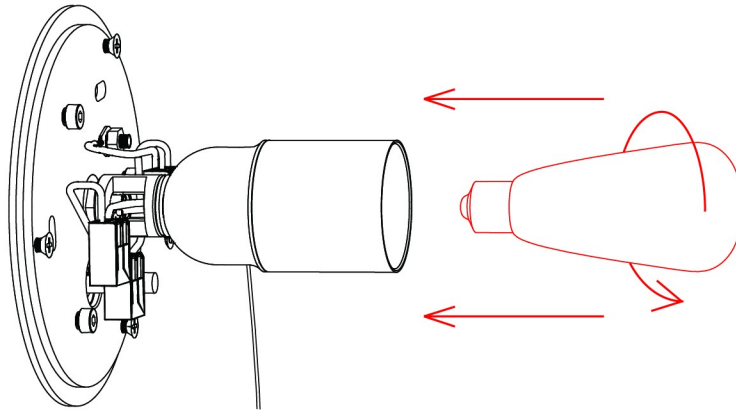
3. CONNECTING THE LIGHT TO THE BUILDING WIRIN

Connect the light to the building wiring according to the connection diagram.



4. INSTALLING THE LIGHT SOURCE

Install the light source (not included with unit).

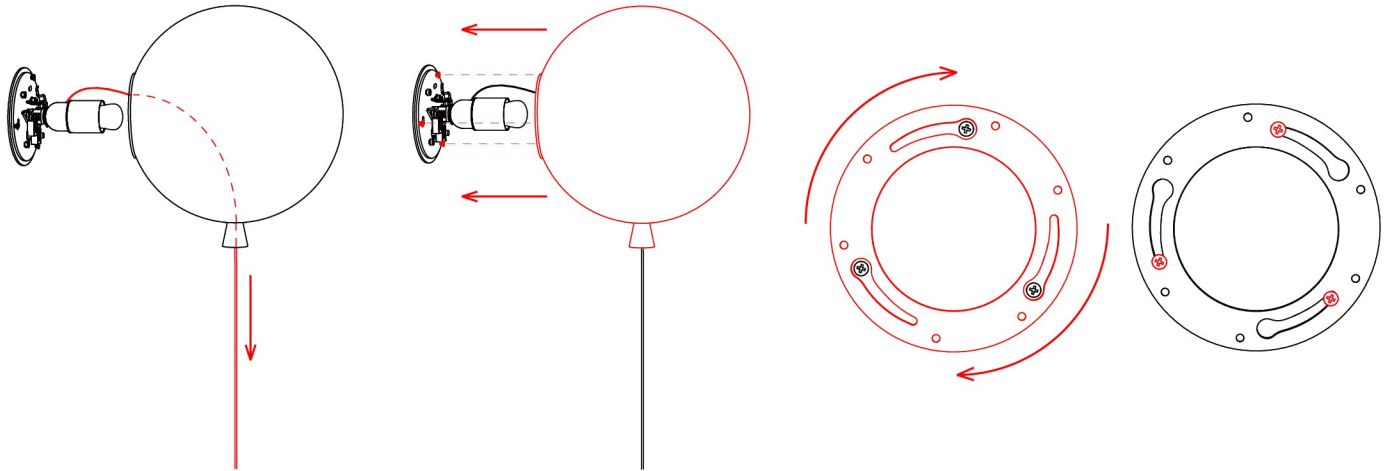


5. INSTALLING THE GLASS SHADE

Pass the string hanging from the metal fixture first through the large and then the small hole in the glass shade.

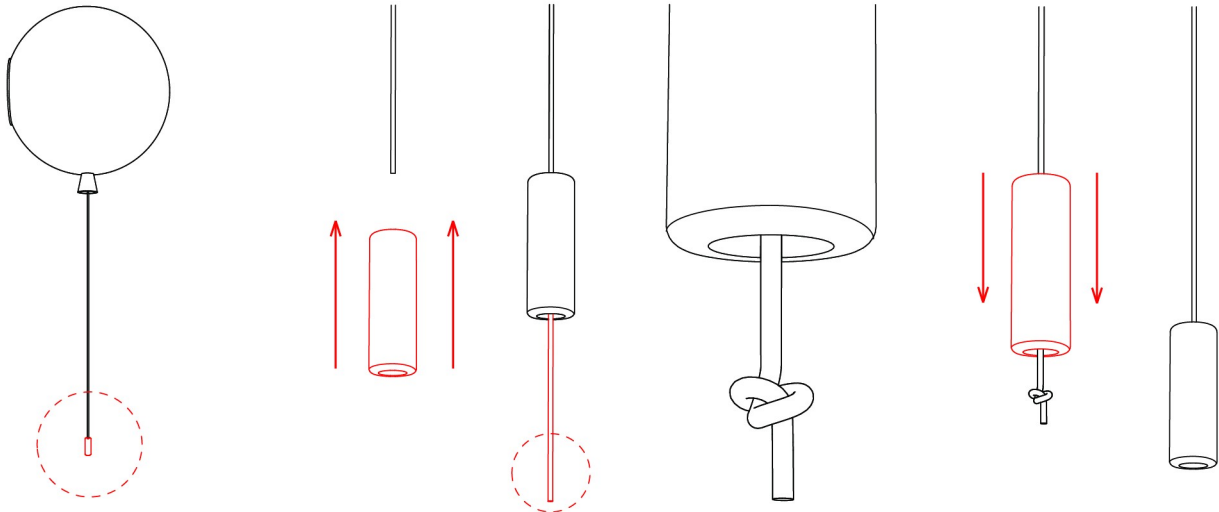
Connect the ground wire to the shade mounting ring.

Position the glass shade on the ceiling so that the screws in the fixture align with the grooves in the shade mounting ring. Gently rotate the glass shade clockwise until securely locked in place. If the shade does not lock smoothly, repeat the procedure.



6. INSTALLING THE METAL PULL

Pass the string through the metal pull and tie off in a knot.



7. SWITCHING ON THE LIGHT

Restore power at the main circuit panel and verify that the light works properly.

